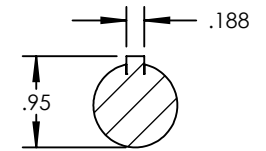
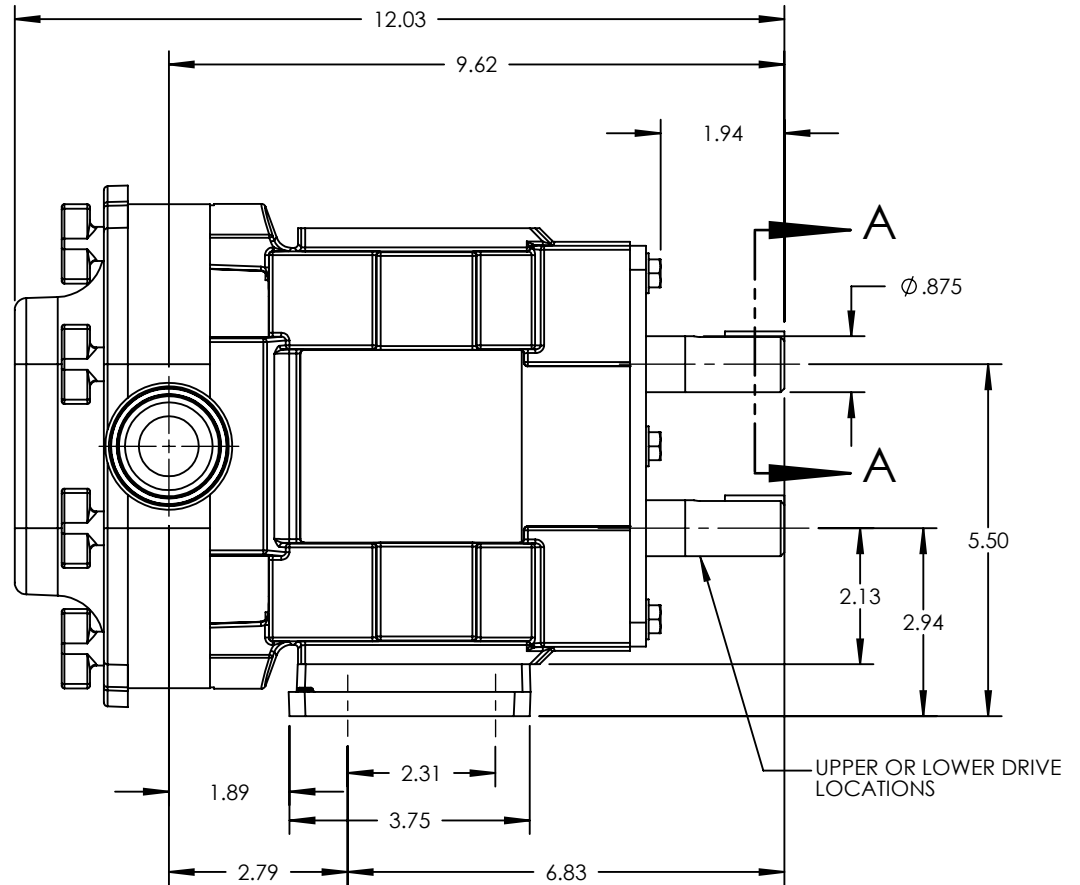
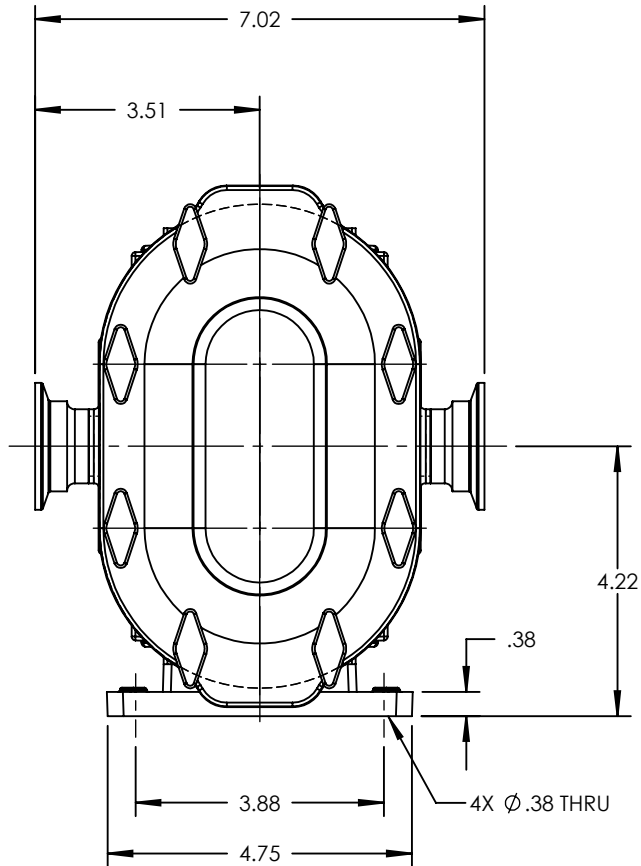


PUMP MODEL	TRA10-0150
ORIENTATION	HORIZONTAL
COVER	STANDARD
INLET	1.5" TRI-CLAMP
DISCHARGE	1.5" TRI-CLAMP
SPECIALS	NONE



SECTION A-A  
SCALE 1 : 2



NOTES:

- THIS IS NOT A CERTIFIED DRAWING. USE FOR GENERAL INSTALLATION ONLY.

STATE	Released	11/01/2013	DIMENSIONS ARE IN INCHES
DRAWN	cneff	10/8/2013	
CHECKED	MPS	10/30/2013	
PROJECT:			WAS:
WAS:			



THIS DRAWING IS THE PROPERTY OF WRIGHTFLOW TECHNOLOGIES AND IS PROPRIETARY IN GENERAL AND DETAIL. IT SHALL NOT BE COPIED OR ITS CONTENTS REVEALED TO OUTSIDE PARTIES WITHOUT THE WRITTEN CONSENT OF WRIGHTFLOW TECHNOLOGIES

3D

DWG. NO.	SHEET 1 OF 2	REV. B.0
TRA10-0150-014		