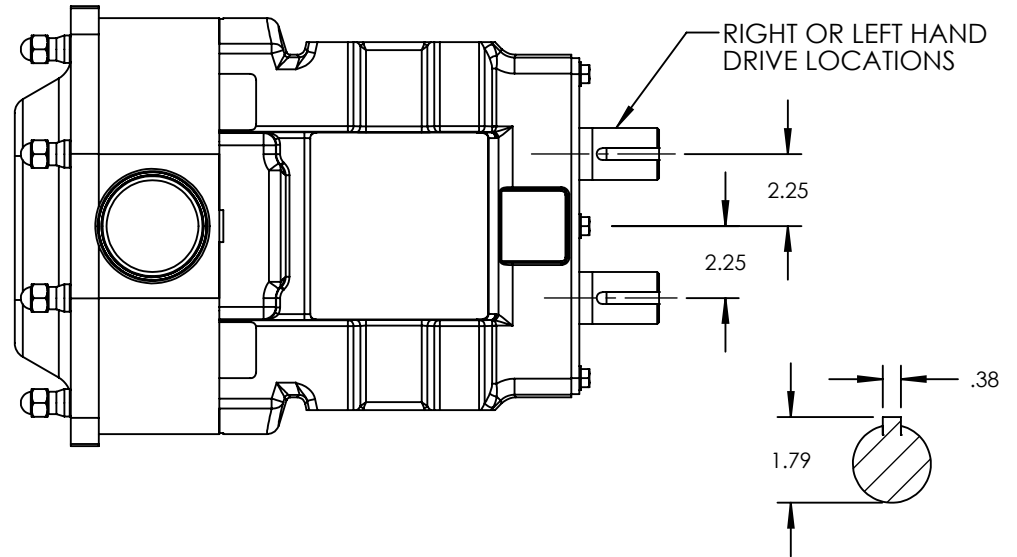
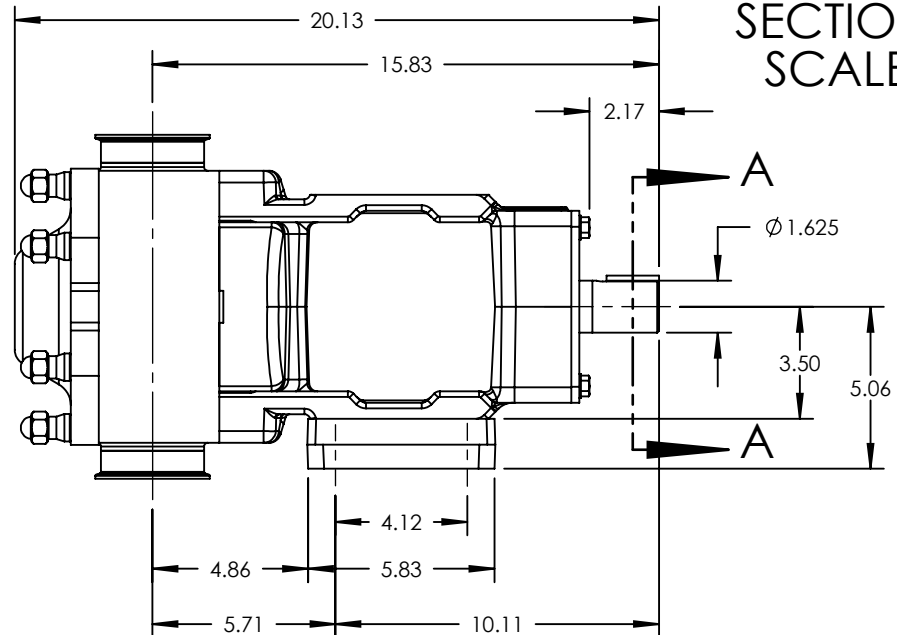
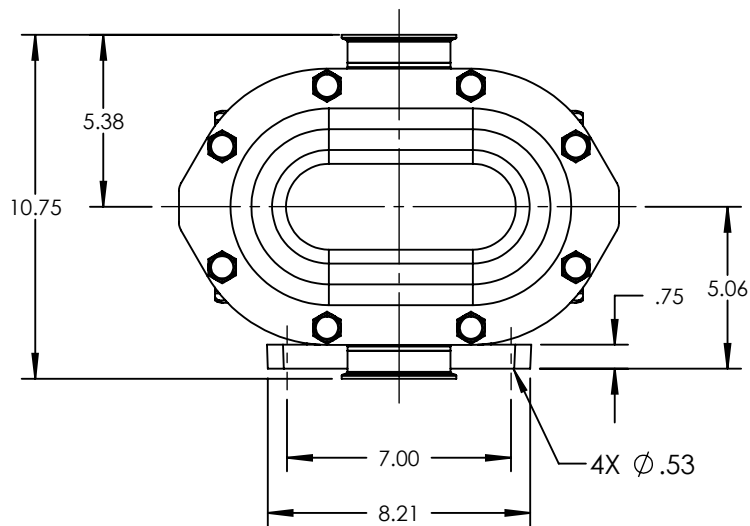


PUMP MODEL	TRA20-1300
ORIENTATION	VERTICAL
COVER	STANDARD
INLET	3.0" TRI-CLAMP
DISCHARGE	3.0" TRI-CLAMP
SPECIALS	NONE



SECTION A-A
SCALE 1 : 4



NOTES:

- THIS IS NOT A CERTIFIED DRAWING. USE FOR GENERAL INSTALLATION ONLY.

STATE	Released	12/19/2012	DIMENSIONS ARE IN INCHES	 <small>Wrightflow Technologies, A Unit of IDEX Corporation Cedar Falls, IA 50613 U.S.A. Eastborne, East Sussex, BN23 6PT UK</small>	<small>THIS DRAWING IS THE PROPERTY OF WRIGHTFLOW TECHNOLOGIES AND IS PROPRIETARY IN GENERAL AND DETAIL. IT SHALL NOT BE COPIED OR ITS CONTENTS REVEALED TO OUTSIDE PARTIES WITHOUT THE WRITTEN CONSENT OF WRIGHTFLOW TECHNOLOGIES</small>	3D	DWG. NO.	SHEET 1 OF 2	REV. B.0
DRAWN	cmihm	12/18/2012					PROJECT:	TRA20-1300-002	12/19/2012
CHECKED	CJM	12/18/2012	WAS:						